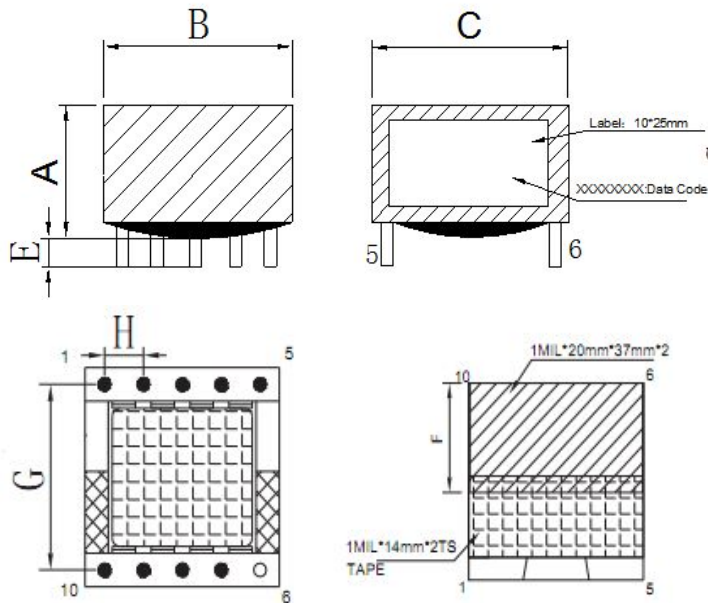


CUSTOMER TERMINAL	ROHS	Lead(Pb)-free
	YES	YES

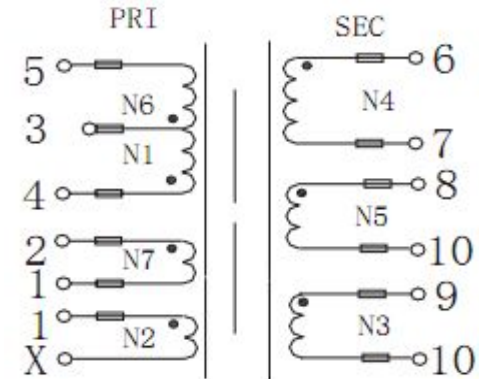


1.Mechanical Dimensions



A	16.0	MAX
B	28.0	MAX
C	26.9	MAX
E	3.5	±0.5
G	22.5	±0.4
H	5.0	±0.3
F	10.0	MIN

2.Schematic Diagram



3.Material List

Core:FW44 EFD25/25/9
 Bobbin:FWB2506(5+5PIN)
 Wire:2UEW TIW
 Operating Temperature: -30 to115 °C

4.Electrical Specification

Inductance : L(1-3):250uH±5% 100KHZ , 1.0V
 Leakage Inductance : 20uH MAX 100KHZ , 1.0V
 DCR : (1-3)=0.35Ω MAX (10-9)=0.22Ω MAX
 Hi-Pot:P-S: AC 60Hz 4000V 1mA 3S
 P-CORE: AC 60Hz 500V 1mA 3S

REV.	DATE	 Convention Placement	DRW.	Drawing Title: TRANSFORMER	Part No: FWPTEFD25H251J
0	00/00		CHK.		
			APP.		
ROHS		www.ferriwo.com	Customer P/N	Specification Sheet 1of 1	